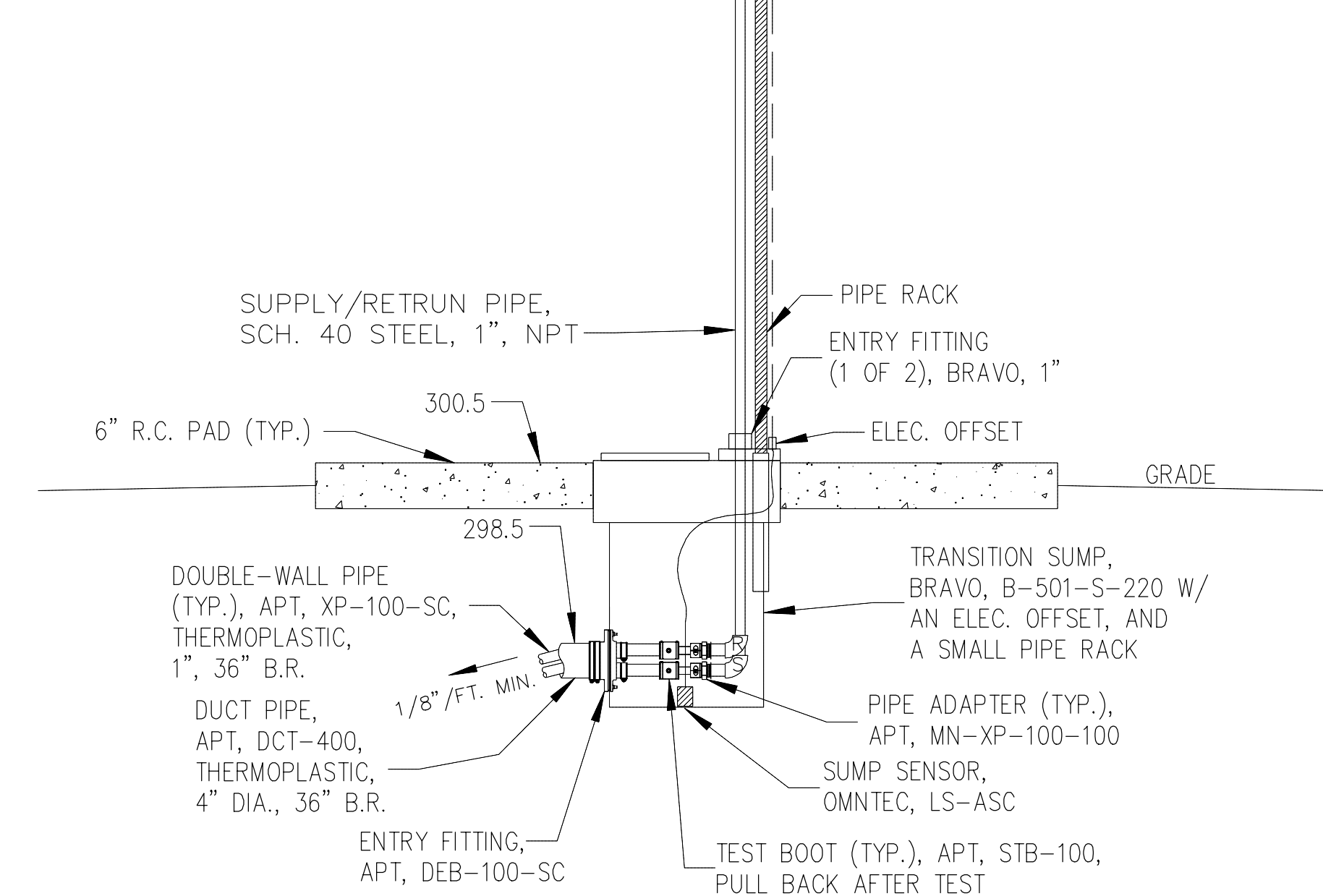


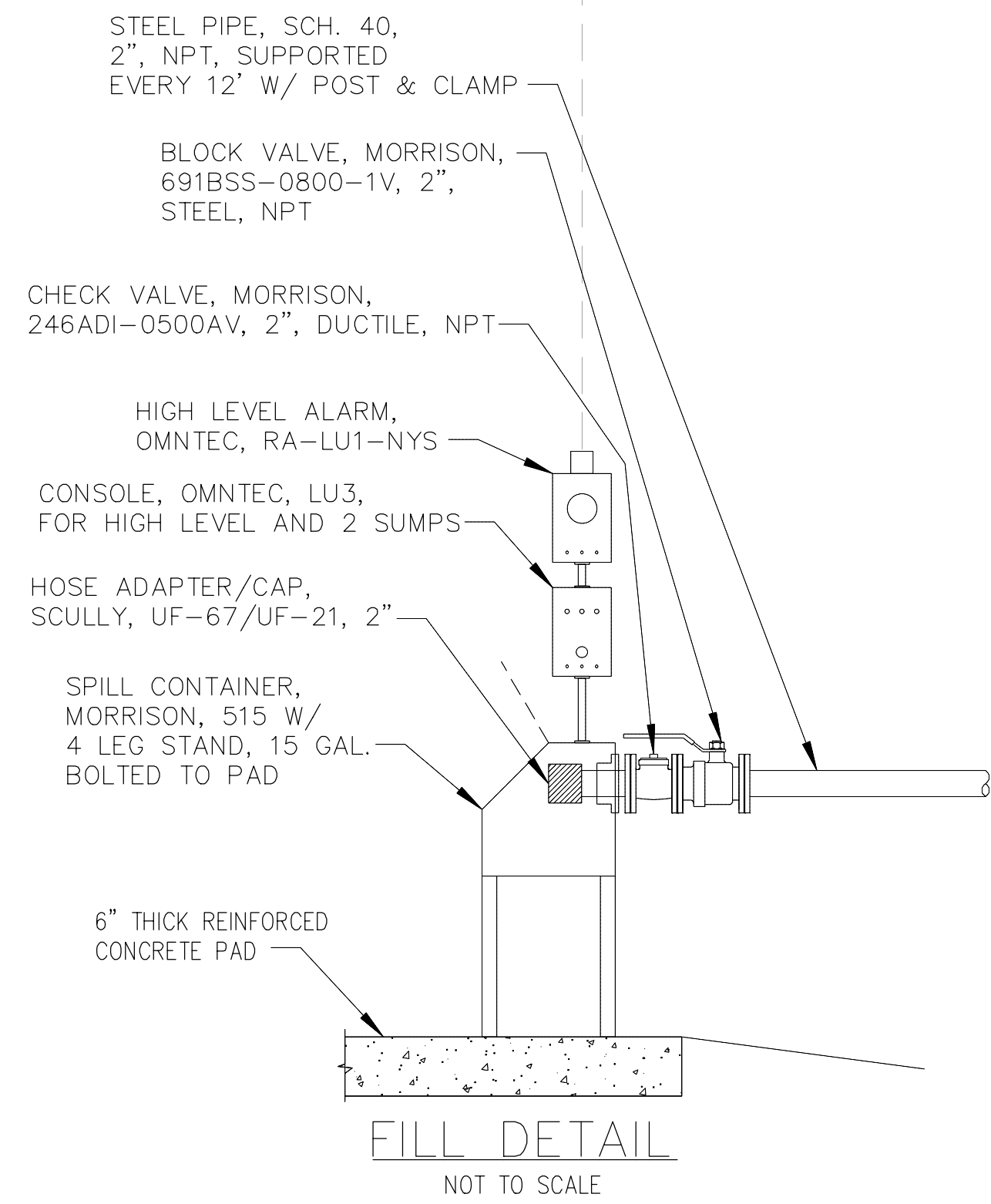
AST DETAIL
NOT TO SCALE

NOTE: STEEL DIKE SHALL BE OF SOUND INTEGRITY AND SUFFICIENTLY TIGHT TO ACT AS SECONDARY CONTAINMENT IN COMPLIANCE WITH ENV-OR 305.08 (A-F).

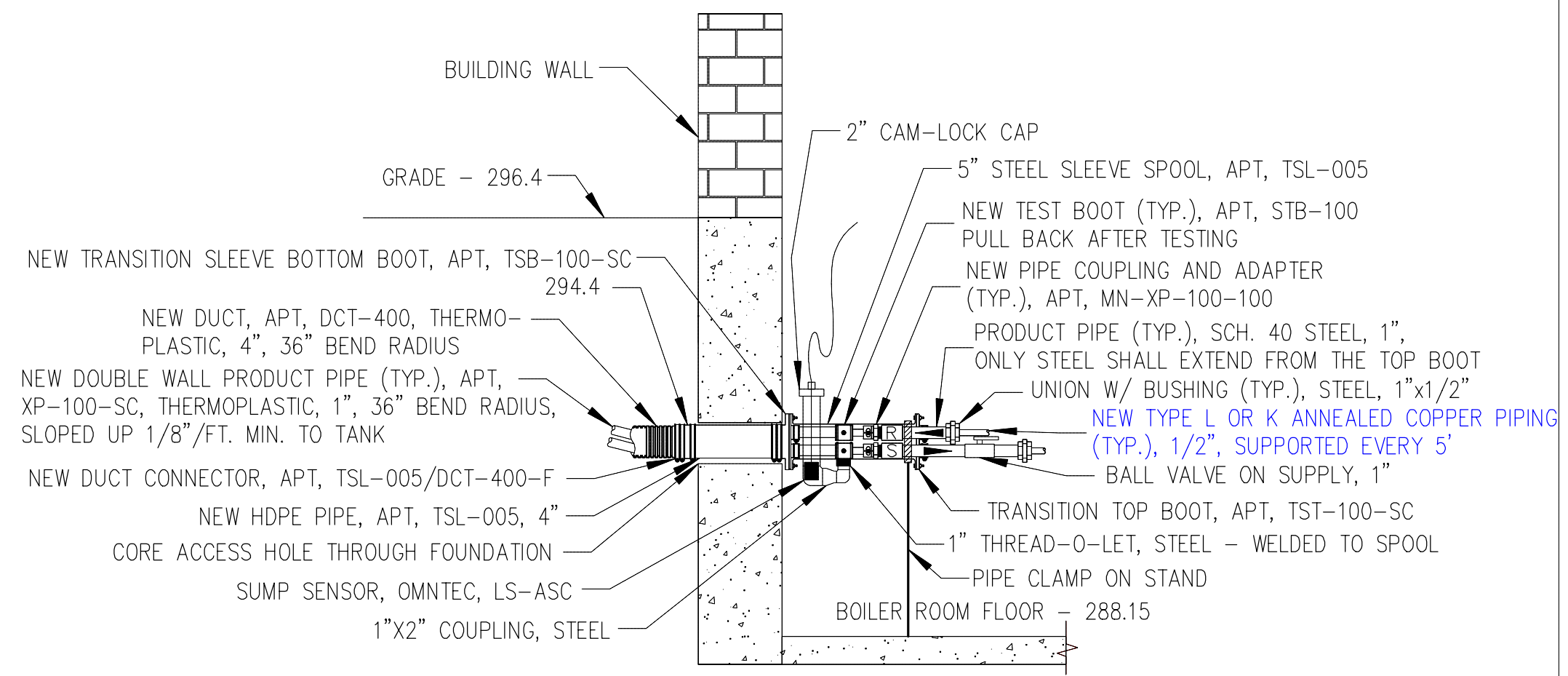


TRANSITION SUMP DETAIL
NOT TO SCALE

NOTES:
SCUFF GUARD SHALL BE REMOVED TO EXTERIOR OF SUMP
NO SEALANTS SHALL BE APPLIED TO ENTRY BOOTS ON SUMP INTERIOR.

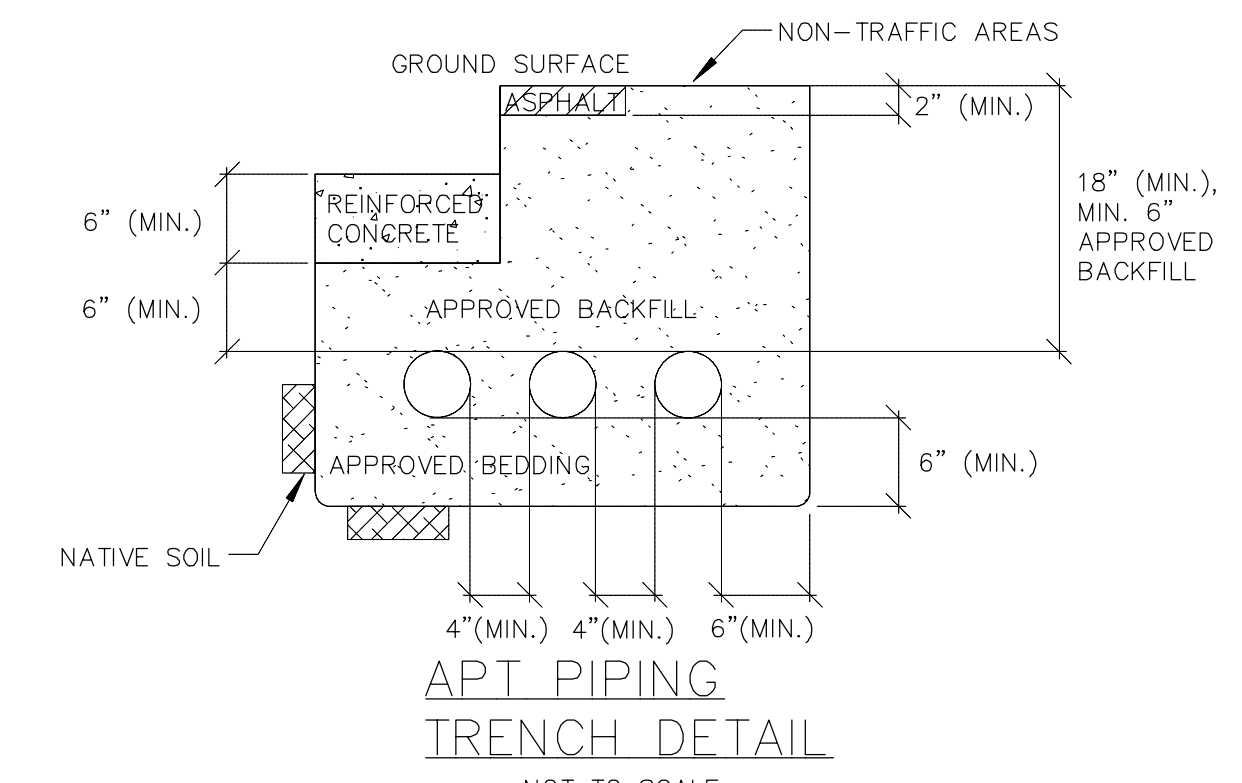


FILL DETAIL
NOT TO SCALE



PIPING TERMINATION DETAIL
NOT TO SCALE

NOTES:
ALL PIPING TO REMAIN ABOVE GROUND AFTER IT PROJECTS THROUGH WALL
REMOVE SCUFF GUARD TO EXTERIOR OF BOTTOM BOOT.
NO SEALANTS SHALL BE APPLIED TO ENTRY BOOTS ON INTERIOR OF TRANSITION SLEEVE ASSEMBLY.



APT PIPING TRENCH DETAIL
NOT TO SCALE

NOTES:
1) INSTALL PIPING PER MANUFACTURER'S INSTRUCTIONS.
2) ALL TRENCHES SHALL SLOPE MIN. 1/8"/FT. TO A MONITORED SUMP SENSOR.
3) APT APPROVED BEDDING AND BACKFILL: CLEAN COMPACTED SAND, PEA GRAVEL (1/8"-3/4") OR CRUSHED ROCK (1/8"-3/4"). SHALL BE FREE OF DEBRIS, ICE AND SNOW.
4) MINIMUM 4" SEPARATION TO ALL OTHER PIPES AND ELECTRICAL CONDUITS, INCLUDING CROSSOVERS.
5) THE SCUFF GUARD MUST BE CUT BACK TO BE EVEN WITH OR OUTSIDE OF THE SUMP ENSURING THAT THE ENTRY BOOT SEALS ON THE SECONDARY JACKET AND NOT ON THE SCUFF GUARD LAYER.

PIPE SLOPE CALCULATIONS:
AST - BLDG. = 93', REQ'D DROP = 93/8 = 11.625/12 = 0.97',
ELEV. AST = 298.5, ELEV. BLDG. = 294.4; 298.5 - 294.4 = 4.1 - OK

NOTE:
THIS DRAWING CONTAINS INSTRUMENTS OF SERVICE FOR USE SOLELY WITH RESPECT TO THIS PROJECT. ANTONIA DESIGN LLC SHALL BE DEEMED THE AUTHOR AND OWNER OF THESE RESPECTIVE INSTRUMENTS OF SERVICE AND SHALL RETAIN ALL COMMON LAW, STATUTORY AND OTHER RESERVED RIGHTS, INCLUDING COPYRIGHTS.
THIS DRAWING SHALL NOT BE MODIFIED FOR THE USE OF ANOTHER.

REV. DATE	DESCRIPTION
1	8/23/22
2	10/00/22

AST SYSTEM DETAILS
HAMPSTEAD HOSPITAL
218 EAST ROAD
HAMPSTEAD, NEW HAMPSHIRE 03841
AST FACILITY # 0001371

Antonia Design LLC
51 Rangeway Road
Durham NH 03824
603-774-2207



PROJECT NO.: 22208
DATE: 6/16/22
SHEET NO.: 2 OF 3